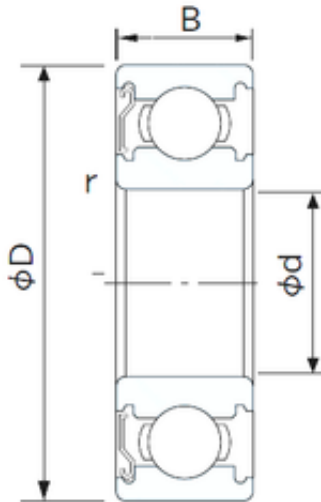




BEARINGS ACCESSORIES IMPORTED LTD



180 mm x 320 mm x 52 mm CYSD 6236-Z deep groove ball bearings

Bearing No. 6236-Z

Size	180x320x52 mm
Bore Diameter	180 mm
Outer Diameter	320 mm
Width	52 mm
d	180 mm
D	320 mm
B	52 mm
C	52 mm
r min.	4 mm
Weight	16,9 Kg
Basic dynamic load rating (C)	227 kN
Basic static load rating (C0)	241 kN
(Grease) Lubrication Speed	1700 r/min

6236-Z Bearing 2D drawings and 3D CAD models